

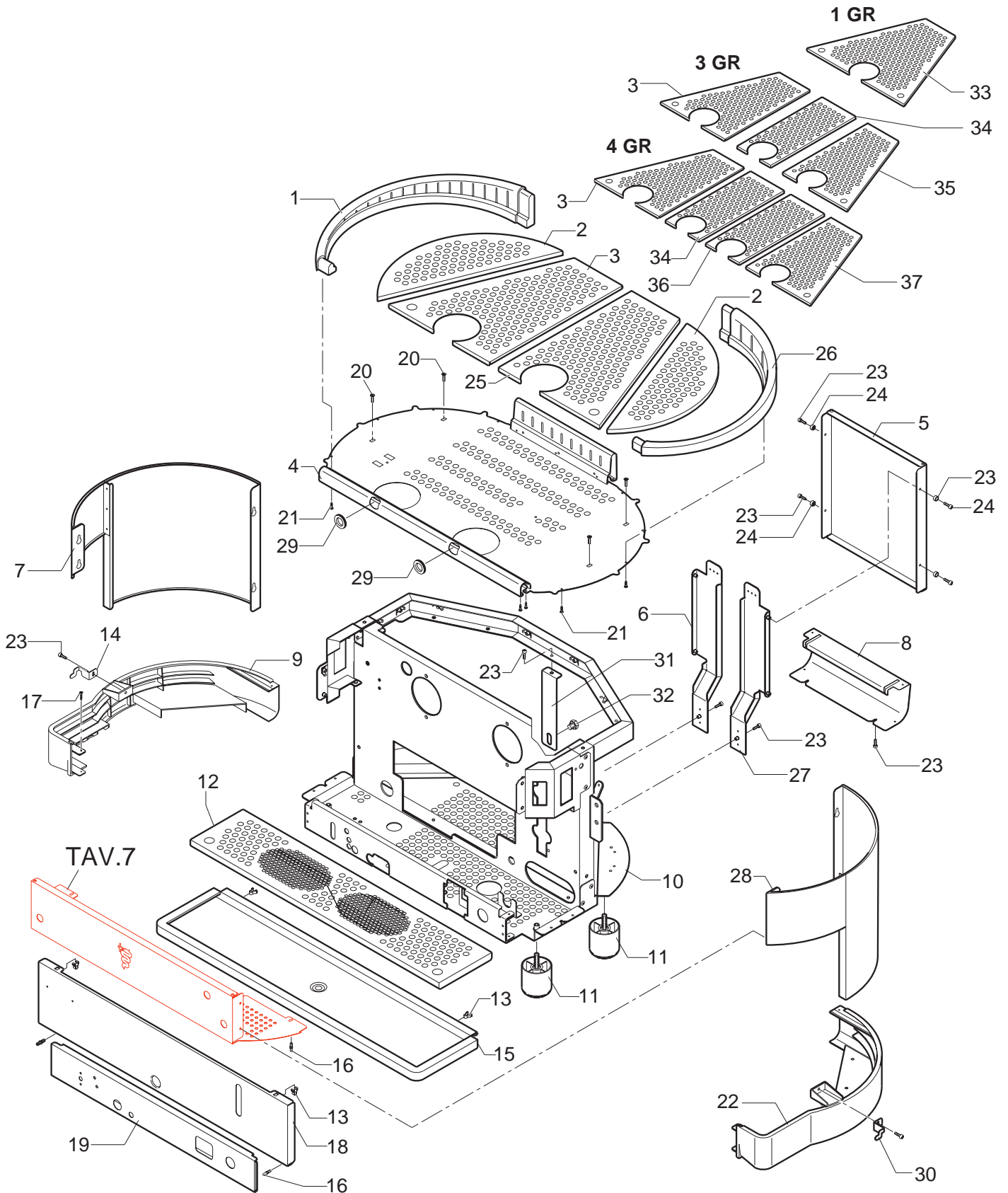


ELLISSEAL up to 03/2006



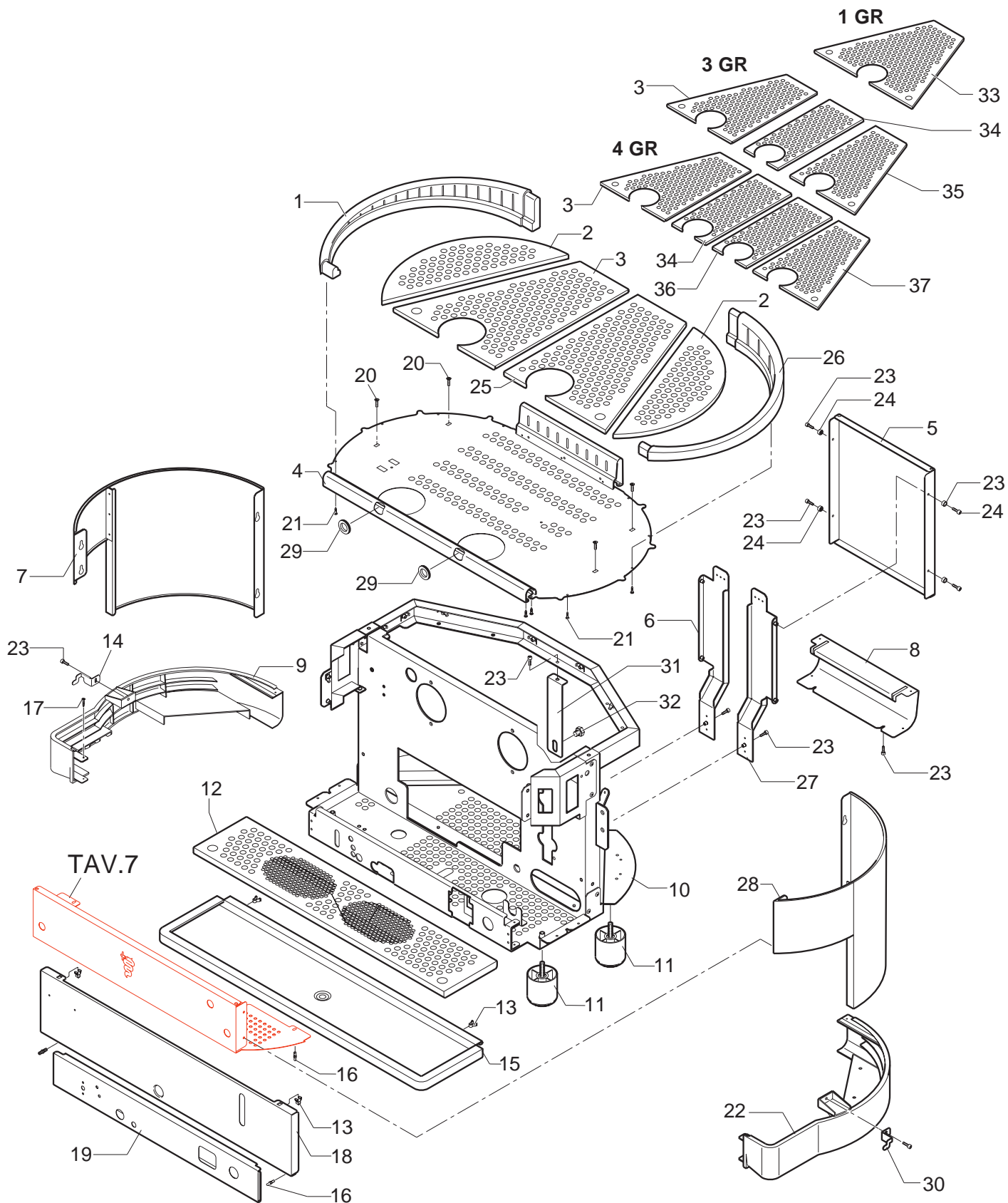


POS	DESCRIPTION	CODE	REFERENCE
01	LEFT CUPS-HEATER FRAME BLUE	5375108.....	KEY 126B
01	LEFT CUPS-HEATER FRAME GREY	5375107.....	KEY 113G
02	LATERAL CUPS-HEATER GRID 1-2-3-4 GR	5074501LW.....	KEY 047P
03	CENTRAL LEFT CUPS-HEATER GRID 2-3-4GR.....	5074574LW.....	PRT 232P
04	ASSEMBLY CUPS-HEATER 1GR GOLD	5343024.....	-
04	ASSEMBLY CUPS-HEATER 1GR STAINLESS STEEL.....	5343023.....	-
04	ASSEMBLY CUPS-HEATER 2GR GOLD	5343026.....	-
04	ASSEMBLY CUPS-HEATER 2GR STAINLESS STEEL.....	5343025.....	-
04	ASSEMBLY CUPS-HEATER 3GR GOLD	5343028.....	-
04	ASSEMBLY CUPS-HEATER 3GR STAINLESS STEEL.....	5343027.....	-
04	ASSEMBLY CUPS-HEATER 4GR GOLD	5343030.....	-
04	ASSEMBLY CUPS-HEATER 4GR STAINLESS STEEL.....	5343029.....	-
05	REAR PANEL 1GR GOLD	5095101DT	-
05	REAR PANEL 1GR STAINLESS STEEL SATINED.....	5095101LW.....	KEY 041P
05	REAR PANEL 1GR RED RAL 3000	5095101VT	-
05	REAR PANEL 2GR GOLD	5095102DT	-
05	REAR PANEL 2GR STAINLESS STEEL SATINED.....	5095102LW.....	KEY 010P
05	REAR PANEL 2GR RED RAL 3000.....	5095102VT	-
05	REAR PANEL 3GR GOLD	5095103DT	-
05	REAR PANEL 3GR STAINLESS STEEL SATINED.....	5095103LW.....	KEY 040P
05	REAR PANEL 3GR RED RAL 3000	5095103VT	-
05	REAR PANEL 4GR STAINLESS STEEL SATINED.....	5095185LW.....	-
05	REAR PANEL 4GR GOLD	5095185DT	-
05	REAR PANEL 4GR RED RAL 3000	5095185VT	-
06	REAR BRACKET 1GR	5018101LL.....	-
06	REAR LEFT BRACKET 2-3-4GR.....	5018103LL.....	-
07	ASSEMBLY LEFT LATERAL SIDE GOLD	5343002DT	-
07	ASSEMBLY LEFT LATERAL SIDE STAINLESS STEEL SATINED.....	5343002.....	KEY 136P
07	ASSEMBLY LEFT LATERAL SIDE RED RAL 3000	5343002VT	-
08	CENTRAL SOCLE 1GR	5099001LW.....	KEY 035P
08	CENTRAL SOCLE 1GR GOLD.....	5099001DT	KEY 035P
08	CENTRAL SOCLE 2GR	5099002LW.....	KEY 019P
08	CENTRAL SOCLE 2GR GOLD.....	5099002DT	KEY 019P
08	CENTRAL SOCLE 3GR	5099003LW.....	KEY 027P
08	CENTRAL SOCLE 3GR GOLD.....	5099003DT	KEY 027P
08	CENTRAL SOCLE 4GR	5099004LW.....	-
08	CENTRAL SOCLE 4GR GOLD.....	5099004DT	-
09	LEFT SOCLE BLUE	5375104.....	KEY 124B
09	LEFT SOCLE GREY	5375103.....	KEY 111G
10	ASSEMBLY CHASSIS 1GR	5964550.....	-
10	ASSEMBLY CHASSIS 2GR	5964551.....	-
10	ASSEMBLY CHASSIS 3GR	5964552.....	-
10	ASSEMBLY CHASSIS 4GR	5964553.....	-
11	FEET D60 X 60 SHANK M8 X 20 BLUE	7474208.....	-
11	FEET D60 X 60 SHANK M8 X 20 GREY	7474207.....	-
12	DRIP TRAY GRID 1GR	5094501LW.....	KEY 089P
12	DRIP TRAY GRID 2GR	5094502LW.....	KEY 048P
12	DRIP TRAY GRID 3GR	5094503LW.....	KEY 088P
12	DRIP TRAY GRID 4GR	5094525LW.....	-
13	SHAPED SPRING.....	5471503.....	F 1541
14	SQUARE FOR LEFT PANEL SUPPORT	5037806LW.....	KEY 200PSX
15	DRIP TRAY 1GR. POLISHED	5070602DL	KEY 087P
15	DRIP TRAY 2GR. COMPACT POLISHED.....	5070603DL	KEY 049P
15	DRIP TRAY 3GR. COMPACT POLISHED.....	5070604DL	KEY 086P
15	DRIP TRAY 4GR. COMPACT POLISHED.....	5070629DL	-
16	STUD M4X22.6 AVP NICHEL-PLATED	5244008NC.....	KEY 061
17	TAPPING SCREW TB D2.9 X 9.5 UNI 6954 A2	7818002.....	F 1439
18	GROUP FRONTAL 1GR	5094355LW.....	-
18	GROUP FRONTAL 2GR	5094332LW.....	-
18	GROUP FRONTAL 3GR	5094337LW.....	-
18	GROUP FRONTAL 4GR	5094338LW.....	-



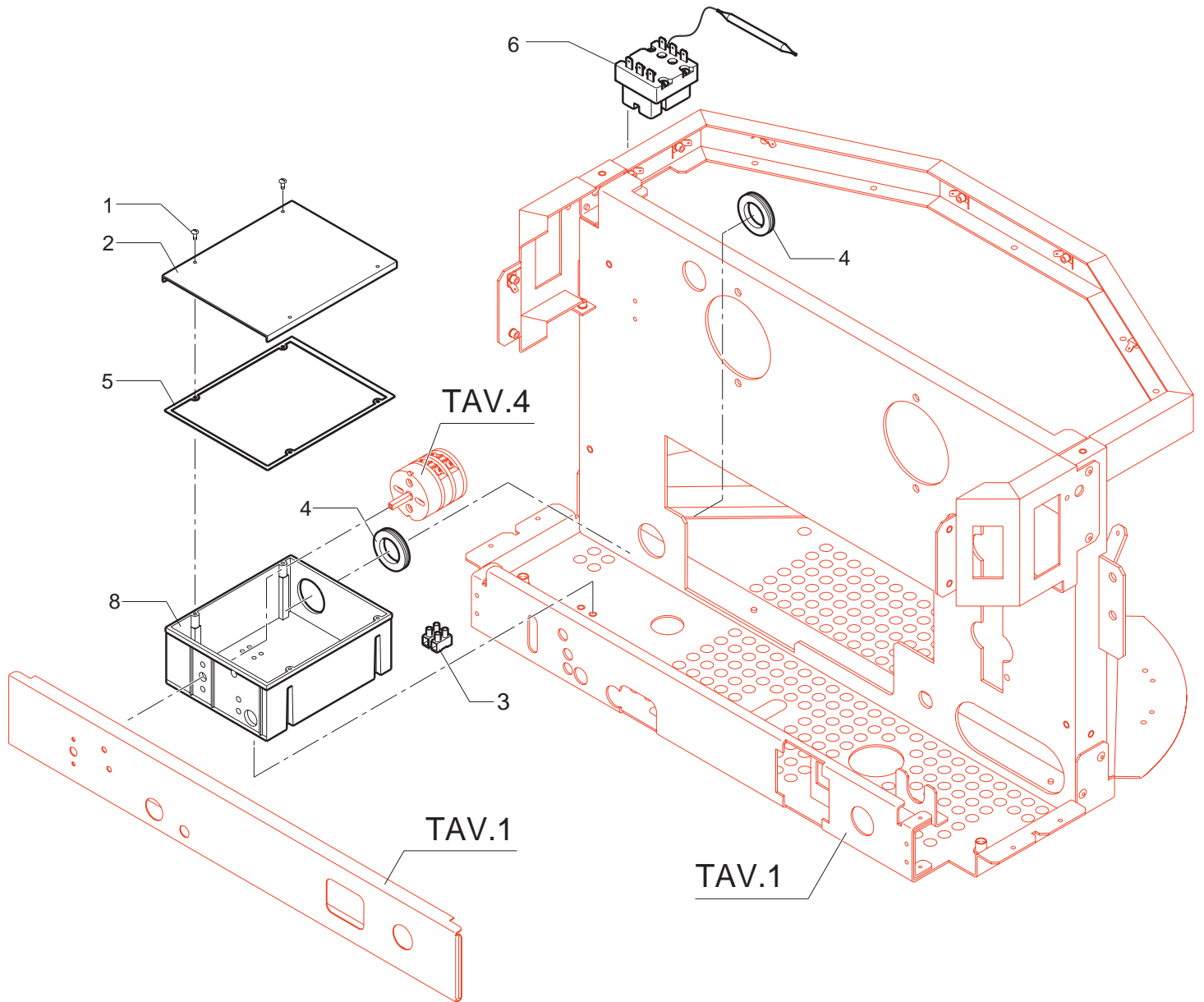


POS	DESCRIPTION	CODE	REFERENCE
19	BASEMENT FRONTAL 1GR BLUE	5094354SB	-
19	BASEMENT FRONTAL 1GR GREY	5094354SG	-
19	BASEMENT FRONTAL 2GR BLUE	5094333SB	-
19	BASEMENT FRONTAL 2GR GREY	5094333SG	-
19	BASEMENT FRONTAL 3GR BLUE	5094335SB	-
19	BASEMENT FRONTAL 3GR GREY	5094335SG	-
19	BASEMENT FRONTAL 4GR BLUE	5094340SB	-
19	BASEMENT FRONTAL 4GR GREY	5094340SG	-
20	SCREW TPS M4 X 16	7817801	F 1599
21	SCREW TC M3X10	7809801	F 1765
22	RIGHT SOCLE BLUE	5375102	KEY 123B
22	RIGHT SOCLE GREY	5375101	KEY 110G
23	SCREW TCEI M4X12	7816002	F 1600
24	BUSHING D10 X 4.2 OT	5220802	KEY 052
25	RIGHT CUPS-HEATER GRID 2GR	5074573LW	PRT 233P
26	RIGHT CUPS-HEATER FRAME BLUE	5375106	KEY 125B
26	RIGHT CUPS-HEATER FRAME GREY	5375105	KEY 112G
27	STAFFA POSTERIORE DX 2-3-4GR	5018102LL	-
28	ASSEMBLY RIGHT LATERAL SIDE GOLD	5343001DT	-
28	ASSEMBLY RIGHT LATERAL SIDE STAINLESS STEEL SATINED	5343001	KEY 137P
28	ASSEMBLY RIGHT LATERAL SIDE RED RAL 3000	5343001VT	-
29	FAIRLEAD WITH HOLE RUBBER	7613004	J 220
30	SQUARE FOR RIGHT PANEL SUPPORT	5037805LW	KEY 200PDX
33	CENTRAL CUPS-HEATER GRID 1GR	5074584LW	-
34	CENTRAL LEFT CUPS-HEATER GRID 3GR (CENTRAL LEFT 4GR)	5074576LW	-
35	RIGHT CUPS-HEATER GRID 3GR	5074575LW	-
36	CENTRAL RIGHT CUPS-HEATER GRID 4GR	5074577LW	-
37	RIGHT CUPS-HEATER GRID 4GR	5074578LW	-



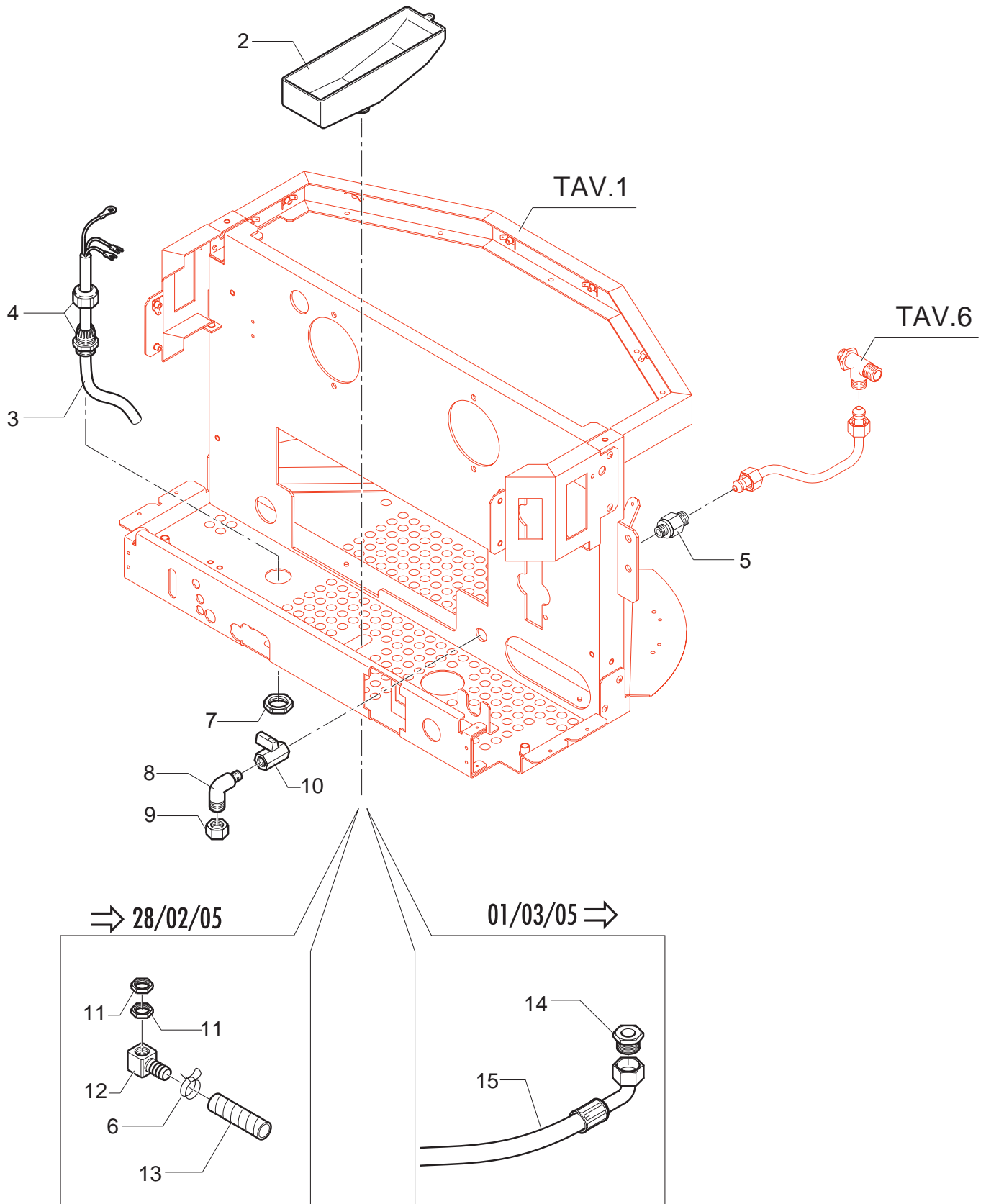


POS	DESCRIPTION	CODE	REFERENCE
01	SCREW TCI M3X7 UNI 6107 OT	7826208.....	F 765
02	ELECTRIC BOX COVER	5373101.....	KEY 129
03	CLAMP 2 CONTACTS.....	7612504.....	-
04	FAIRLEAD P63 RUBBER.....	7613001.....	J 221
05	GASKET 163.4X130X1 RUBBER	5493017.....	KEY 059
06	THERMOSTAT MANUAL.....	7434001.....	U/6 2346
08	ELECTRIC BOX 129X161X ABS	5373301.....	KEY 128



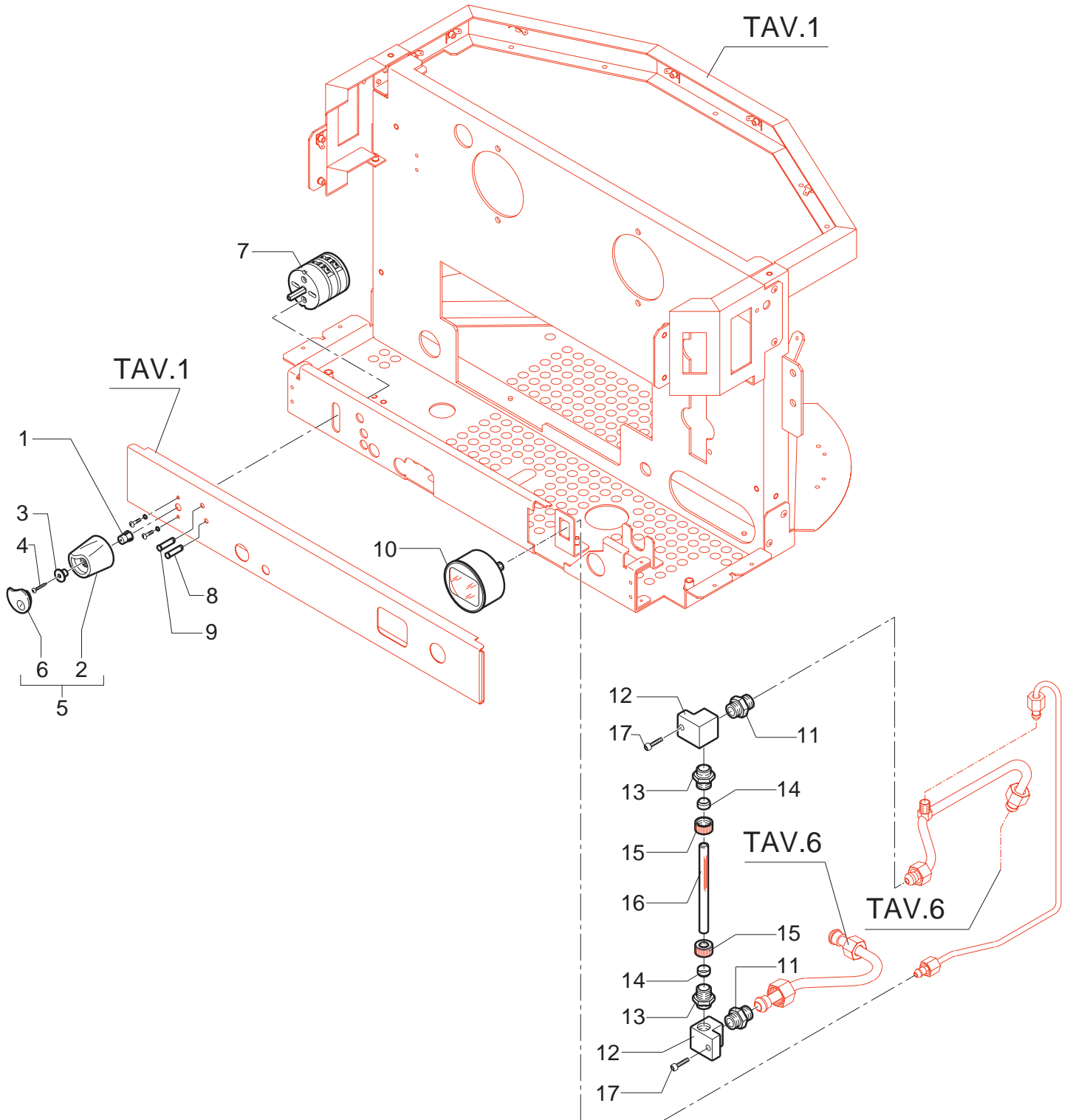


POS	DESCRIPTION	CODE	REFERENCE
02	DRIP TRAY ABS	5374501	KEY 130
03	CONNEC.CABLE H07RNF 5X2,5MM ² L=3MT(3-4GR CONTROL D 380-230/400V)	3553902	-
03	CONNECTING CABLE H07RNF	3553901	-
03	CONNECTING CABLE H07RNF 3X2,5 MM ² L=2MT (1-2GR 220V-240V)	3552404	-
03	CONNECTING CABLE H07RNF 3X4 MM ² L=3MT (3-4GR 220V-240V)	3552703	-
03	CABLE SOOW 3X10AWG L=2,2MT (110V-220V USA).....	3556003	-
03	CONNECTING CABLE SJTO 3X12 AWG L=2MT (1GR 110V-220V USA)	3551501	-
04	CABLE-PRESS PG16 POLYAMIDE	7614001	J 486
04	CABLE-PRESS PG21 POLYAMIDE	7614002	J 488
05	STRAIGHT FITTING 1/4" X 3/8"G OT	5225201	F 1038
06	CLAMP D22 FE (UP TO 28/02/05).....	7611501	F 1266
07	NUT PG16 POLYAMIDE	7614003	J 487
07	NUT PG21 POLYAMIDE	7614004	J 489
08	UNION ELBOW 1/4"G X 3/8"G OT.....	5301501	F 896
09	CAP NUT 3/8"G	5221819	F 642
10	BALL COCK FF 1/4"G.....	7451501	N/2 1250
11	NUT 3/8"G ES.22 H5 OT (UP TO 28/02/05).....	5221826	M 1191
12	RUBBER-HOLDER D16.5 (UP TO 28/02/05).....	5224410	F 1732
13	HOSE D22 L=2MT PLASTIC (UP TO 28/02/05)	7303501	F 1299
14	UNION M/F 3/4X3/8 (FROM 01/03/05)	5225294	-
15	HOSE 3/4 FC 2MT (FROM 01/03/05)	7303503	-



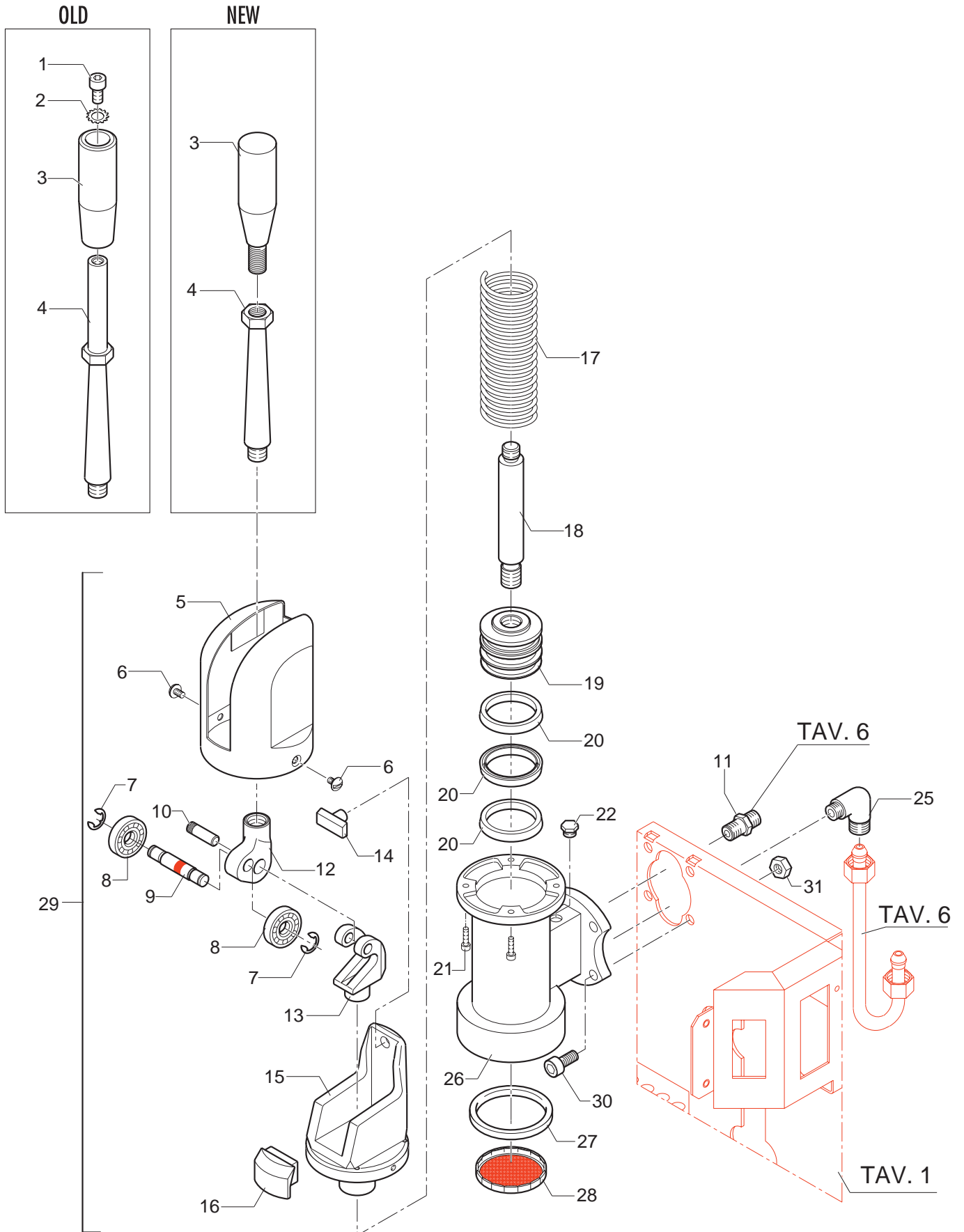


POS	DESCRIPTION	CODE	REFERENCE
01	INSERT D9.5 H14	5371301	KEY 144
02	SWITCH KNOB D42 BLUE	5371807	KEY 117B
02	SWITCH KNOB D42 GREY	5371806	KEY 104G
03	SLEEVE D15X3 H9.5	5220803	F 1727
04	SCREW TC M3X25	7809802	F 1766
06	SHAPED PLUG BLUE	5373912	KEY 118B
06	SHAPED PLUG GREY	5373911	KEY 105G
07	SWITCH 2 POSITIONS 4 CONTACTS	7633301	KEY 147
07	SWITCH 2 POSITIONS 6 CONTACTS	7633302	KEY 148
08	ORANGE LAMP 110V	7633603	J 848/110
08	ORANGE LAMP 230/240V	7633604	J 848/230
09	RED LAMP 110V	7633605	J 849/110
09	RED LAMP 230V	7633606	J 849/230
10	PRESSURE GAUGE D60 3 BAR	7432513	-
11	STRAIGHT FITTING 3/8"G	5302011	F 645
12	GLASS LEVEL FITTING 30 X 30 X 35 OT	5225275	KEY 023
13	STRAIGHT FITTING 3/8"G ES.22 H23 OT	5225204	KEY 005
14	GASKET D14.5 X 10 X 7 RUBBER 75SH	5493004	F 727
15	RING NUT 3/8"G D20 H11 OT	5221836	F 836
16	LEVEL HOSE D10 X 2.2 L=120 PIREX	5430505	F 1759
17	SCREW TCEI M4X20 UNI 5931 A2	7816005	GB/1 783/20



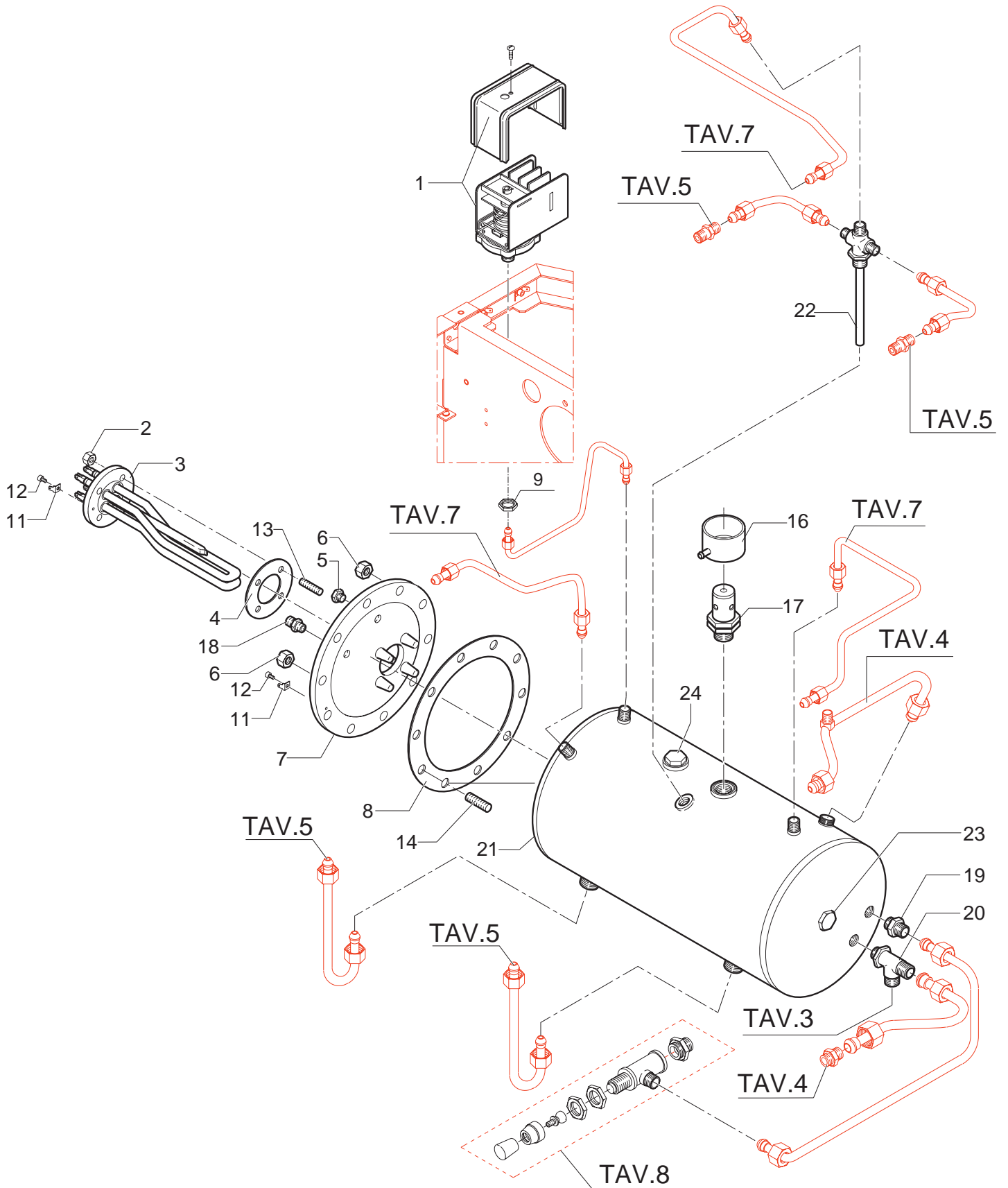


POS	DESCRIPTION	CODE	REFERENCE
01	SCREW TCEI M8X16 UNI 5931 8.8 (OLD)	7806013.....	F 623
02	FAN WASHER D10 R150 ZINC PLATED (OLD).....	7804001.....	GB/2 805
03	KNOB D30 (OLD).....	5371808.....	GB/2 803
03	ASSEMBLY HANDLE ABS BLUE	5963016.....	H 880B
03	ASSEMBLY HANDLE ABS GREY	5963013.....	H 880G
04	LEVER L=235 MM ES.22 AVP CHROMED (OLD)	5263201CM.....	GB/2 802
04	CHROMED LEVER (NEW)	5263202CM.....	-
05	LEVER GROUP CAP	5370601.....	GB/2 801
06	SCREW TCS M5X8 DIN 964 A2.....	7817401.....	GB/1 784
07	RING D9 UNI 7434 R150.....	7800601.....	GB/1 781
08	BALL BEARING D35 X 10 X 11	7471801.....	GB/1 782
09	STUD D11 X 61 PR80	5244006.....	GB/1 786
10	STUD D9 X 29 CARBONITRIDED.....	5244007CN.....	GB/1 785CN
11	STRAIGHT FITTING 1/4"G X M13 OT.....	5302001.....	F 895
12	ARTICULATION M16 OT NICKEL-PLATED.....	5287001.01NC.....	-
13	GROUP FORK OT NICKEL-PLATED.....	5284501.01NC.....	-
14	UPPER VIBRATION DAMPER.....	5473001.....	GB/2 787
15	BEARING SLIDE HEAD OT.....	5287502.....	GB/2 790
16	BOTTOM VIBRATION DAMPER	5473002.01.....	GB/2 800
17	SPRING D46 X 130	5471502.....	GB/2 791
18	SHAFT D20X 139 AISI 303.....	5260201.....	GB/2 806
19	PISTON D50 OT.....	5224201.....	GB/2 807
20	LIP SEAL D51 X 41 X 8 NBR 75SH.....	7491001.....	GB/4 797
21	SCREW TCEI M4X16	7816004.....	GB/1 783
22	PLUG 1/8"G OT CHROMED	5226402CM.....	-
25	UNION ELBOW 1/4"G X 3/8"G OT.....	5301501.....	F 896
26	DELIVERY GROUP BODY POLISHED CHROMED	5283009CM.....	GB/4 814
27	OR GASKET 160 NBR 75SH.....	7496011.....	A 117N
27	OR GASKET 160 VITON 80SH.....	7496029.....	A 117V
28	SHOWER D60 AISI 304.....	5470502.....	GB/2 795
29	COMPLETE GROUP	5963537.01.....	-
30	SCREW TCEI M8X25 UNI 5931 A2.....	7816015.....	A 116B
31	NUT M8 UNI 5587 OT.....	7821401.....	F 957



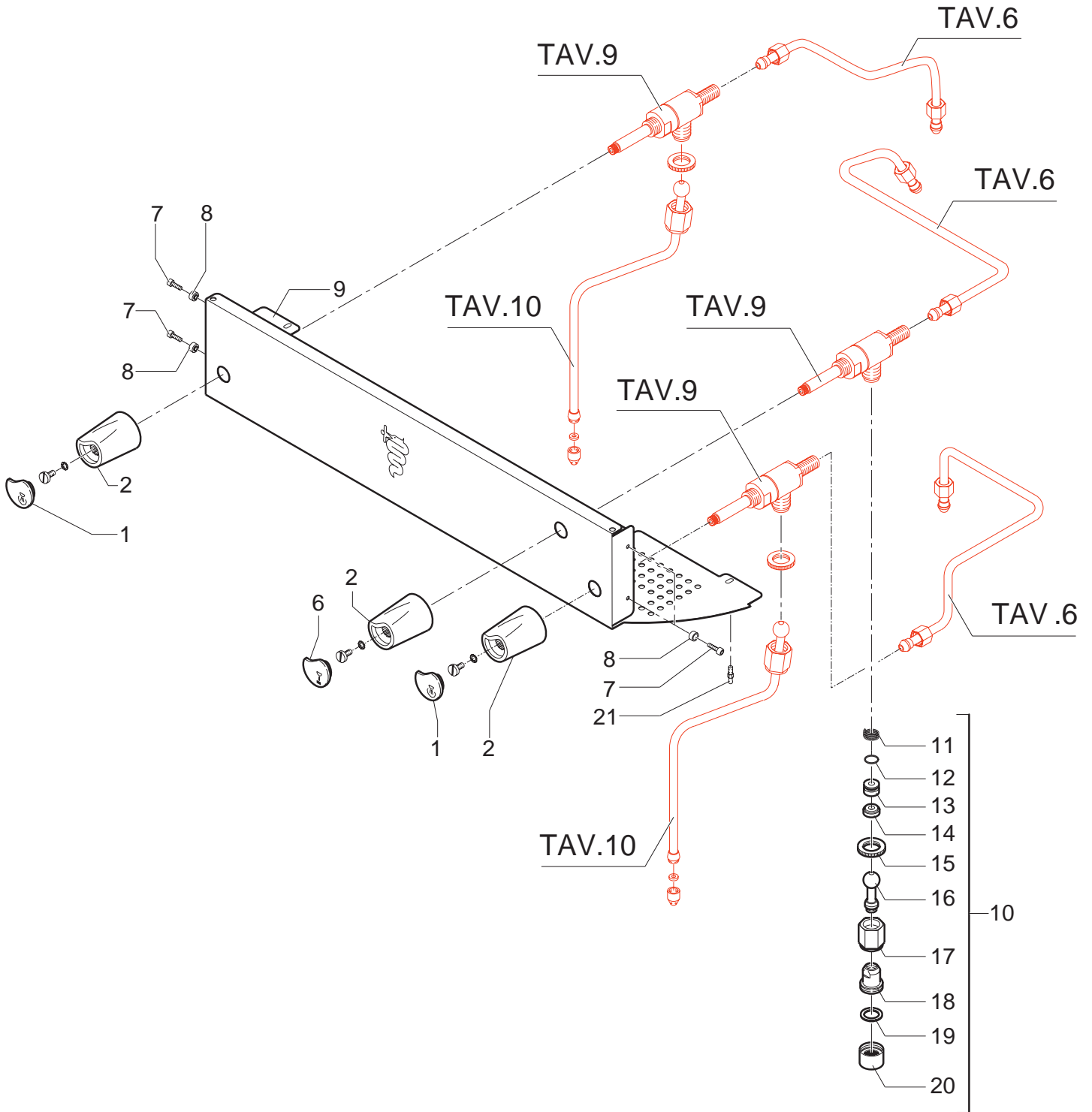


POS	DESCRIPTION	CODE	REFERENCE
01	PRESSOSTAT SIRAI P302/6	7433001	U/5 2343
02	NUT M8 UNI 5587 ASTM A194	7812607	-
03	HEATING ELEMENT 1GR 1400W 110/120V.....	5721114	T/12 1561/110
03	HEATING ELEMENT 1GR 2000W 220/230V.....	5722220	T/12 1561/220
03	HEATING ELEMENT 1GR 2000W 240V.....	5722416	T/12 1561/240
03	HEATING ELEMENT 2GR 2600W 110/120V.....	5721115	T/12 1562/110
03	HEATING ELEMENT 2GR 3000W 220/230V.....	5722221	T/12 1562/220
03	HEATING ELEMENT 2GR 3000W 240V.....	5722417	T/12 1562/240
03	HEATING ELEMENT 3-4GR 3000W 110/120V	5721116	T/12 1564/110
03	HEATING ELEMENT 3-4GR 5000W 220/230V	5722222	T/12 1564/220
03	HEATING ELEMENT 3-4GR 5000W 240V	5722419	T/12 1564/240
04	GASKET D76 X 39 X 2 ASBESTOS FREE	5492006.....	T 1493
05	PLUG M10 H12 OT	5226404.....	F 682
06	NUT M10 UNI 5587 ASTM A194	7812608.....	-
07	BOILER FLANDE D205 OT	5283502.....	W 2152
08	GASKET D203 X 151 X 2 ASBESTOS FREE	5492005.....	J 57A
09	NUT 1/4"G H5 OT	5221821	T 1498
11	FASTON 45° HOLE D5.3	7615001	J 722
12	SCREW TCI M4X6 UNI 6107 OT.....	7826212.....	F 1219
13	TIE ROD M8 X 31 ASTM A193.....	5267013.....	F 980
14	TIE ROD M10 X 33 ASTM A193.....	5267012.....	-
16	SCODELLINO COMPLETO	5963047	-
17	ASSEMBLY SAFETY VALVE 1.5 BAR	5965015.....	R/3 1403
18	STRAIGHT FITTING M12 X M10 OT.....	5302010.....	F 683
19	STRAIGHT FITTING 3/8"G	5302011	F 645
20	FITTING 3/8"G OT	5300505.....	F 1309
21	ASSEMBLY BOILER 1GR. POLISHED.....	5320507BL	-
21	ASSEMBLY BOILER 2GR. POLISHED.....	5321003BL	-
21	ASSEMBLY BOILER 3GR. POLISHED.....	5321503BL	-
21	ASSEMBLY BOILER 4GR. POLISHED.....	5322002BL	-
22	COMPLETE WATER SUCTION HOSE L=120MM.....	5301003LL.....	-
23	PLUG 3/8"G	5226403.....	F 643
24	PLUG 1/2"G H18 OT	5226406.....	W/8 2225



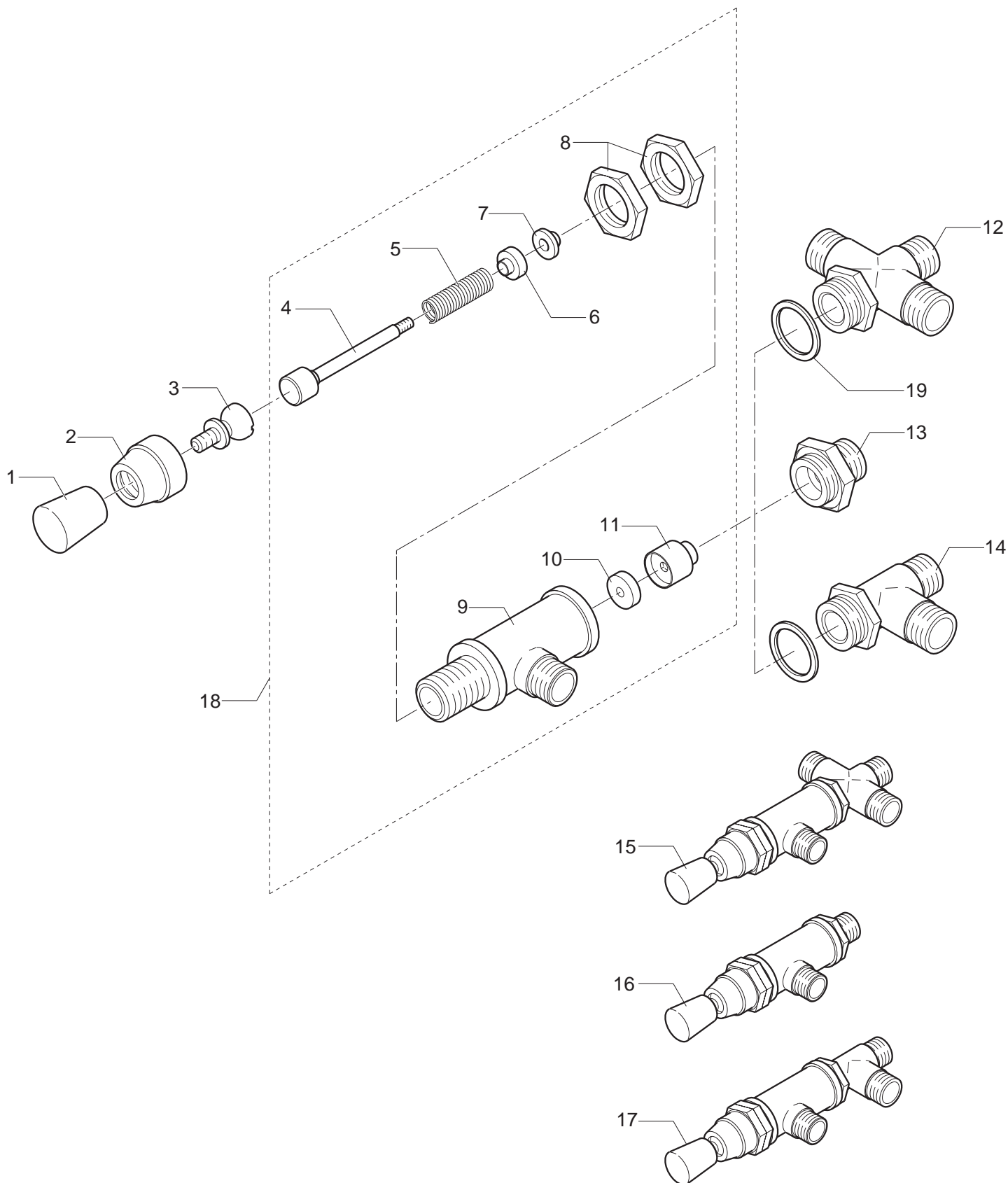


POS	DESCRIPTION	CODE	REFERENCE
01	STEAM PLUG BLUE.....	5373908.....	KEY 122B
01	STEAM PLUG GREY.....	5373907.....	KEY 109G
02	BLUE KNOB.....	5371805.....	-
02	GREY KNOB.....	5371804.....	-
06	WATER PLUG BLUE.....	5373910.....	KEY 120B
06	WATER PLUG GREY.....	5373909.....	KEY 107G
07	SCREW TCEI M4X12.....	7816002.....	F 1600
08	BUSHING D10 X 4.2 OT.....	5220802.....	KEY 052
09	WORKING FRONTAL PANEL 1GR BLUE.....	5094353SB.....	-
09	WORKING FRONTAL PANEL 1GR GREY.....	5094353SG.....	-
09	WORKING FRONTAL PANEL 2GR BLUE.....	5094334SB.....	-
09	WORKING FRONTAL PANEL 2GR GREY.....	5094334SG.....	-
09	WORKING FRONTAL PANEL 3GR BLUE.....	5094336SB.....	-
09	WORKING FRONTAL PANEL 3GR GREY.....	5094336SG.....	-
09	WORKING FRONTAL PANEL 4GR BLUE.....	5094339SB.....	-
09	WORKING FRONTAL PANEL 4GR GREY.....	5094339SG.....	-
10	ASSEMBLY COMPLETE WATER HOSE.....	5966501.....	O/16 2541/A
11	SPRING D14 AISI 302.....	5471504.....	O/6 2500
12	OR GASKET 112 EPDM 70SH.....	7496076.....	-
13	GASKET-HOLDER D14.7 X 10.5 OT.....	5224605.....	O/6 2502
14	GASKET D16X6X6 PTFE GRAPHITIZED.....	5494002.....	O/6 2503
15	RING NUT M18.....	5222801.....	O/1 1251G
16	WATER HOSE L=44MM CHROMED.....	5225603CM.....	O/9 2521/A
17	NUT M18 NICKEL-PLATED.....	5221871NC.....	-
18	STRAIGHT FITTING M22 X 1 H25 OT CHROMED.....	5225226CM.....	F 1257
19	GASKET D20.5X15 H1.5 NBR 70SH.....	5493003.....	-
20	WATER HOSE TERMINAL D23.5 H16 OT CHROMED.....	5226601CM.....	F 1272
21	STUD M4X22.6 AVP NICHEL-PLATED.....	5244008NC.....	KEY 061



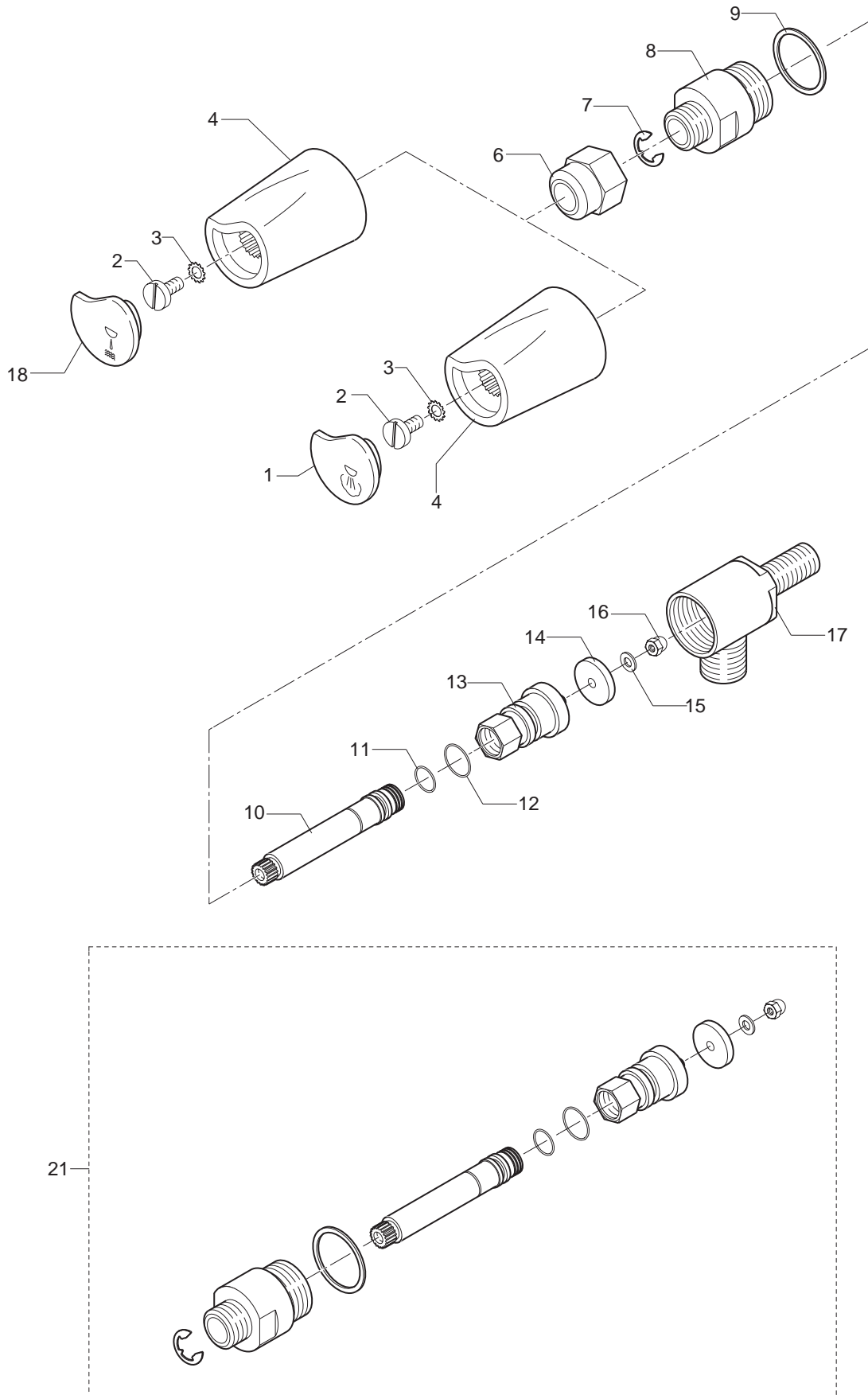


POS	DESCRIPTION	CODE	REFERENCE
01	KNOB M6	7473603.....	-
02	RING NUT M18 OT CHROMED.....	5222813CM.....	L 1128
03	ARTICULATION D14 X 24.5 X M6 AISI 303	5265601.....	L 1127
04	SHAFT D12 X 65 AISI 303.....	5260202.....	L 1125
05	SPRING D9.5 H34.5 AISI 302	5471512.....	L 1123
06	BUSHING D12 X 7 OT	5220603.....	L 1122
07	GASKET D12 X 6 PTFE GRAPHITIZED	5494004.....	L 1121
08	NUT M18 ES.26 H5 OT.....	5221833.....	L 1119
09	PUMP BODY OT	5283019.....	L 1118
10	GASKET D14 X 4 X 4 NBR 70SH.....	5493013.....	L 1117
11	GASKET-HOLDER D15 X 16.5 OT	5224607.....	L 1116
12	FITTING 4 WAY 3/8"G OT (PM-TE-TP).....	5302502.....	L 1114C
13	FITTING 3/8"G	5225241.....	L 1113B
14	FITTING 3 WAY 3/8"G.....	5302508.....	L 1112A
15	ASSEMBLY PUMP 3 WAY COMPLETE.....	5964054.....	L 1130C
16	ASSEMBLY PUMP 1 WAY COMPLETE.....	5964055.....	L 1130B
17	ASSEMBLY PUMP 2 WAY COMPLETE.....	5964056.....	L 1130A
18	ASSEMBLY PUMP	5964058.....	L 1130
19	COPPER GASKET 20 X 26 X 3.....	5495006.....	-



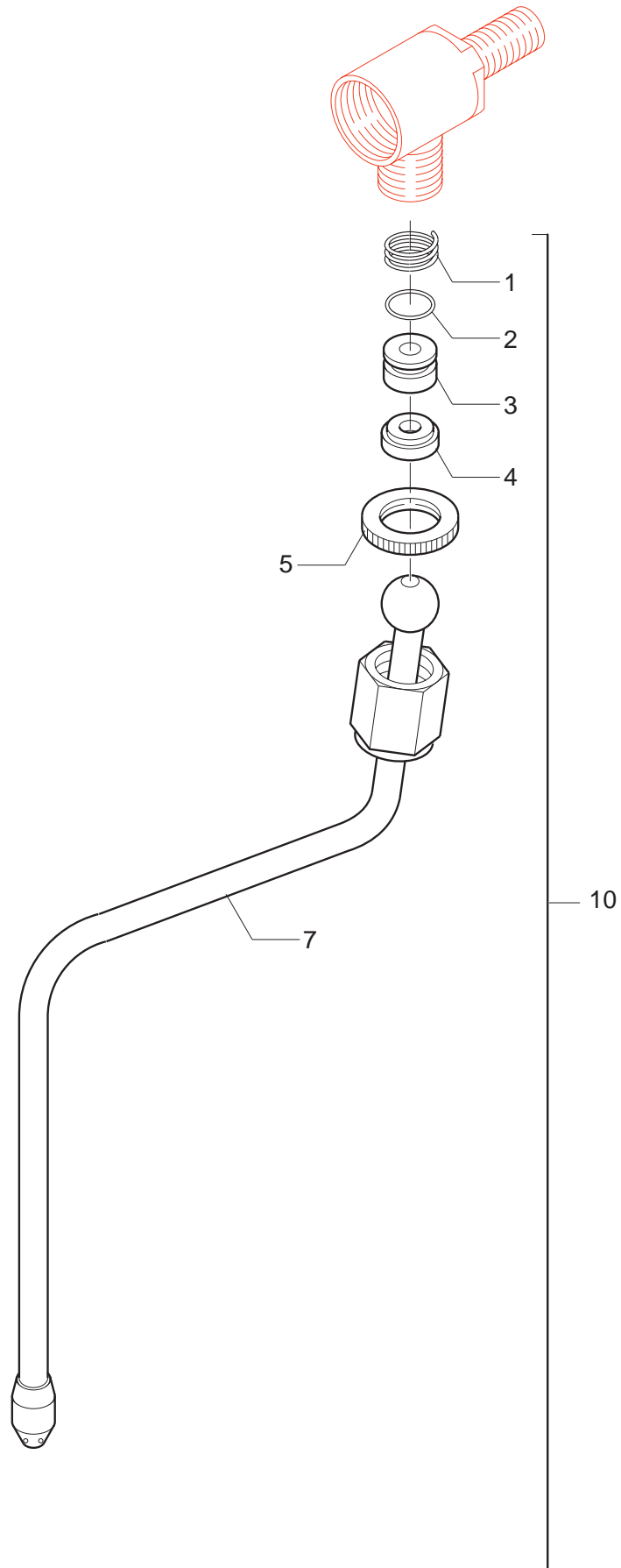


POS	DESCRIPTION	CODE	REFERENCE
01	STEAM PLUG BLUE.....	5373908.....	KEY 122B
01	STEAM PLUG GREY.....	5373907.....	KEY 109G
02	SCREW TCI M5X10 UNI 6107 OT.....	7826202.....	F 794A
03	FAN WASHER D6 DIN 6798A.....	7804002.....	F 736
04	BLUE KNOB.....	5371805.....	-
04	GREY KNOB.....	5371804.....	-
06	NUT 3/8"G OT NICKEL-PLATED.....	5221804NC.....	M/5 2424
07	RING D7 UNI 7434 A2.....	7810601.....	M/5 2425
08	FOR MACHINES BUILT UNTIL 02/02/05 SEE POSN. 21		
08	NUT SCREW (FROM 03/02/05).....	5223402.....	-
09	GASKET D28 X 1 COPPER.....	5495001.....	M/5 2434
10	FOR MACHINES BUILT UNTIL 02/02/05 SEE POSN. 21		
10	ROD (FROM 03/02/05).....	5220411.....	-
11	OR GASKET 108 VITON (UP TO 02/02/05).....	7496003.....	M/5 2428
11	OR GASKET 10,82X1,78 (FROM 03/02/05).....	7496075.....	-
12	OR GASKET 115 VITON.....	7496002.....	M/5 2430
13	FOR MACHINES BUILT UNTIL 02/02/05 SEE POSN. 21		
13	GASKET-HOLDER (FROM 03/02/05).....	5970504.01.....	-
14	TAP GASKET EPT 70SH.....	5493023.....	M/5 2431EP
15	PLAIN WASHER D8 X 4 X 0.8 OT.....	7825001.....	F 1218
16	CAP NUT M4 OT.....	7822201.....	D/B 528
17	TAP BODY OT.....	5283002.....	M/5 2433
18	WATER PLUG BLUE.....	5373910.....	KEY 120B
18	WATER PLUG GREY.....	5373909.....	KEY 107G
19	ASSEMBLY WATER TAP BLUE.....	5974010.01.....	-
19	ASSEMBLY WATER TAP GREY.....	5974009.01.....	-
20	ASSEMBLY STEAM TAP BLUE.....	5974008.01.....	-
20	ASSEMBLY STEAM TAP GREY.....	5974007.01.....	-
21	TAP KIT FOR MACHINES BUILT UNTIL 02/02/05.....	5976522.....	-



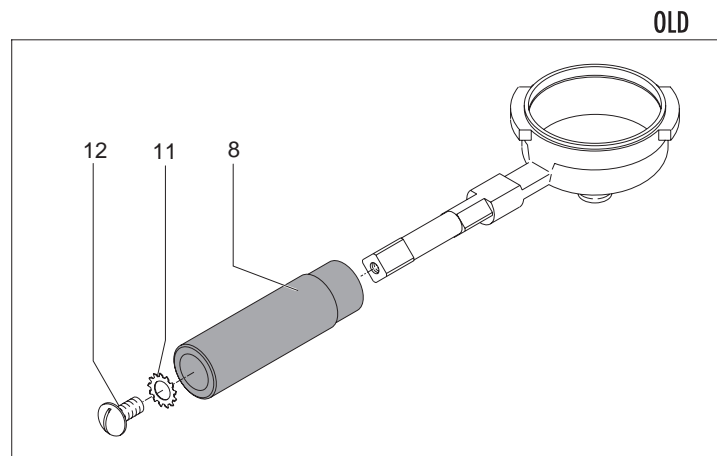
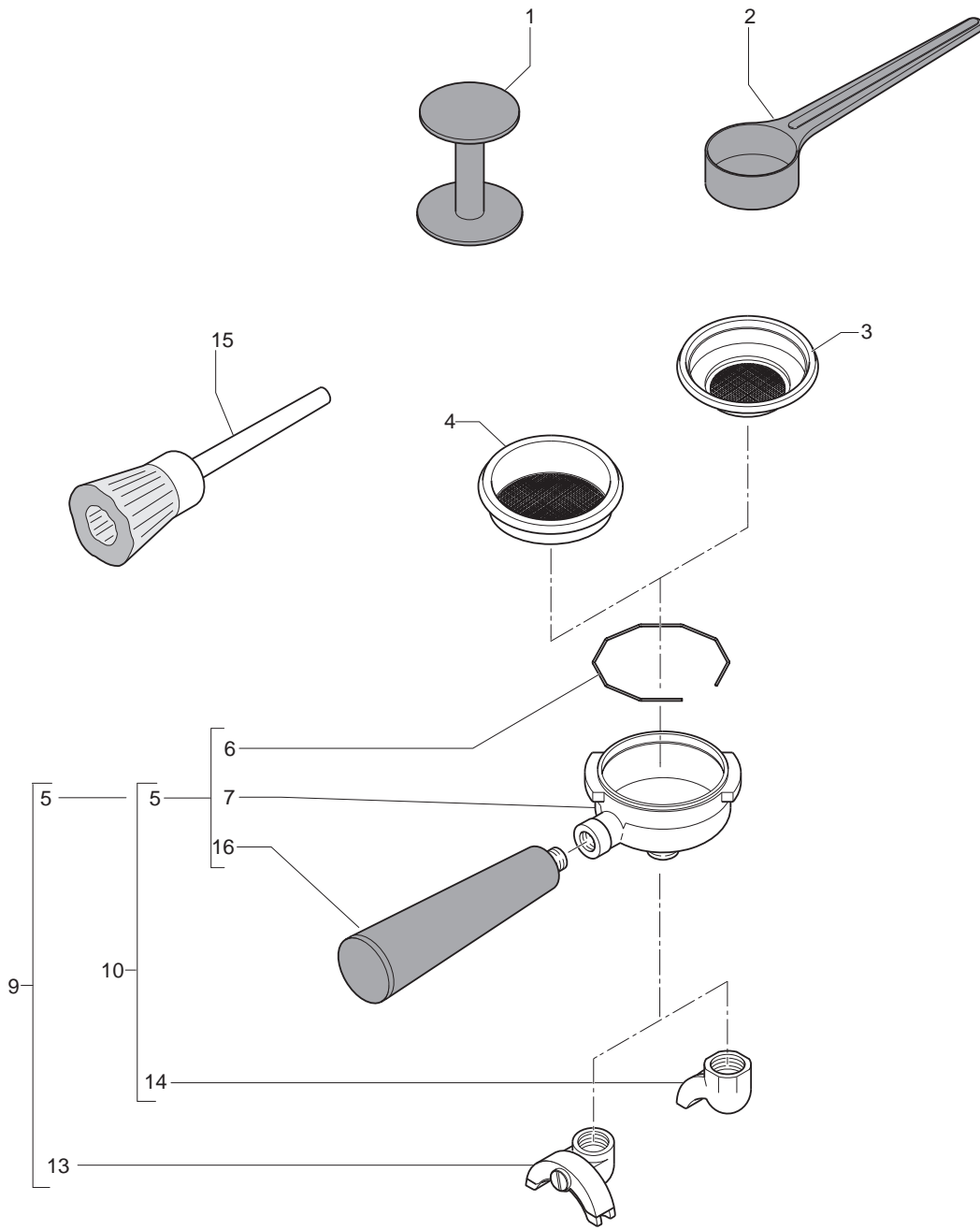


POS	DESCRIPTION	CODE	REFERENCE
01	SPRING D14 AISI 302	5471504.....	O/6 2500
02	OR GASKET 112 EPDM 70SH.....	7496076.....	-
03	GASKET-HOLDER D14.7 X 10.5 OT	5224605.....	O/6 2502
04	GASKET D16X6X6 PTFE GRAPHITIZED	5494002.....	O/6 2503
05	RING NUT M18.....	5222801.....	O/1 1251G
07	COMPLETE HOSE STAINLESS STEEL.....	7479928.....	-
10	ASSEMBLY COMPLETE STEAM HOSE	5966502.01.....	O/16 2541V



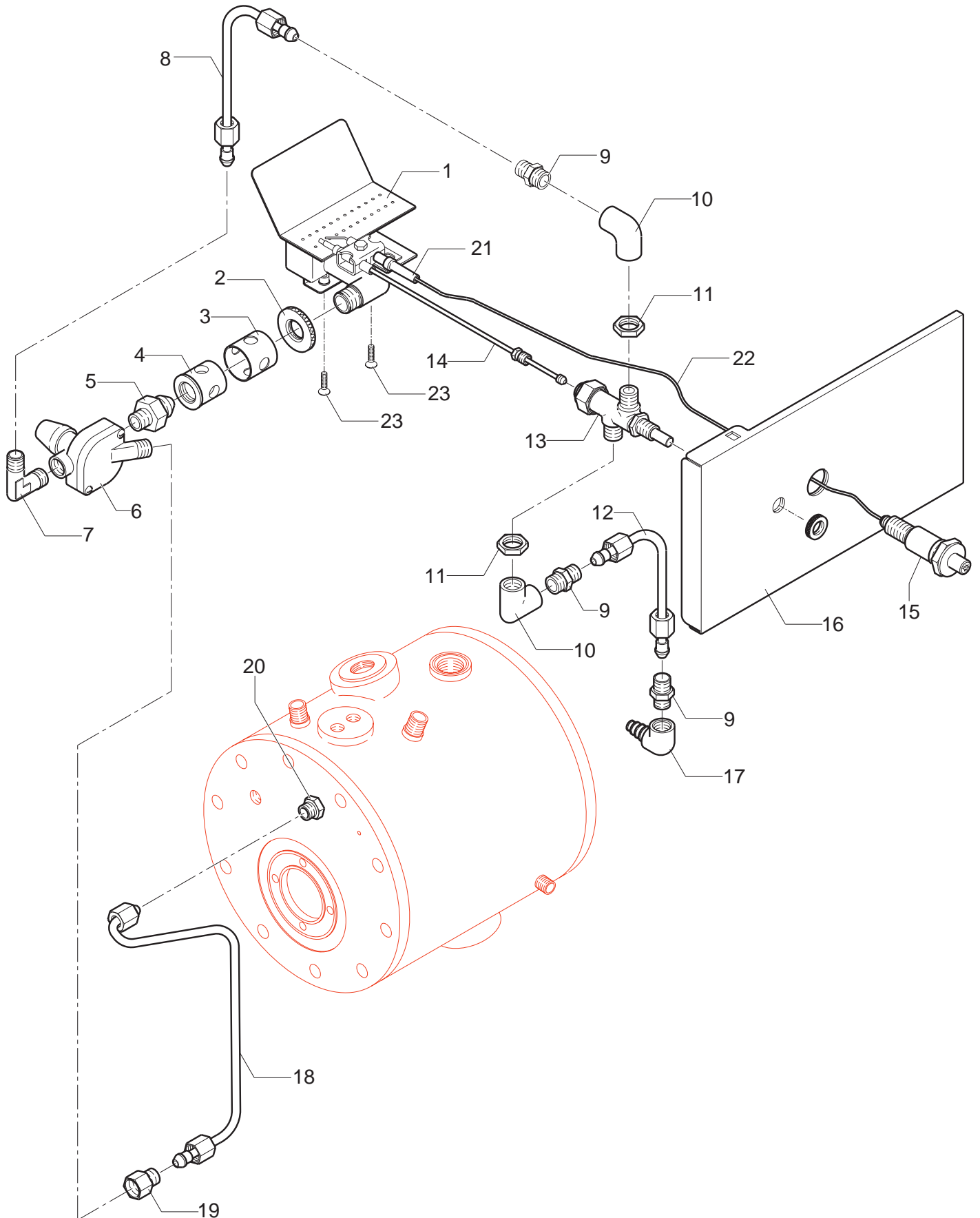


POS	DESCRIPTION	CODE	REFERENCE
01	COFFEE-PRESS ABS	5373001	H 862
02	MEASURER ABS.....	5372101.....	H 861
03	FILTER 1 CUP 6 GRAMS	5471004.....	H 856
04	FILTER 2 CUPS 12 GRAMS AISI 304	5471005.....	H 867
04	FILTER 2 CUPS 14 GRAMS AISI 304	5471016.....	H 853
05	ASSEMBLY FILTER-HOLDER WITHOUT SPOUT (OLD)	5965538.....	-
05	ASSEMBLY FILTER-HOLDER WITHOUT SPOUT GREY (NEW)	5965541	-
05	ASSEMBLY FILTER-HOLDER WITHOUT SPOUT BLUE (NEW)	5965544.....	-
06	SHAPED SPRING D1.4 AISI 302	5471507.....	H 817
07	FILTER-HOLDER (NEW)	5286011CM	-
08	KNOB D27 X 101 (OLD)	7371501	H 813
09	ASSEMBLY FILTER-HOLDER 2 CUPS (OLD)	5965539.....	-
09	ASSEMBLY FILTER-HOLDER 2 CUPS BLUE(NEW)	5965545.....	-
09	ASSEMBLY FILTER-HOLDER 2 CUPS GREY (NEW)	5965542.....	-
10	ASSEMBLY FILTER-HOLDER 1 CUP (OLD).....	5965540.....	-
10	ASSEMBLY FILTER-HOLDER 1 CUP BLUE (NEW)	5965546.....	-
10	ASSEMBLY FILTER-HOLDER 1 CUP GREY (NEW).....	5965543.....	-
11	FAN WASHER D10 DIN 6798A A2	7814003.....	H 812
12	SCREW M8	5227003NE.....	H 811
13	SPOUT 2 WAY	7305003.....	H 815
14	SPOUT 1 WAY	7305002.....	H 829
15	CLEANING BRUSH	7990603.....	-
16	ASSEMBLY HANDLE GREY (NEW).....	5963013.....	-
16	ASSEMBLY HANDLE ABS BLUE (NEW)	5963016.....	KEY 124B



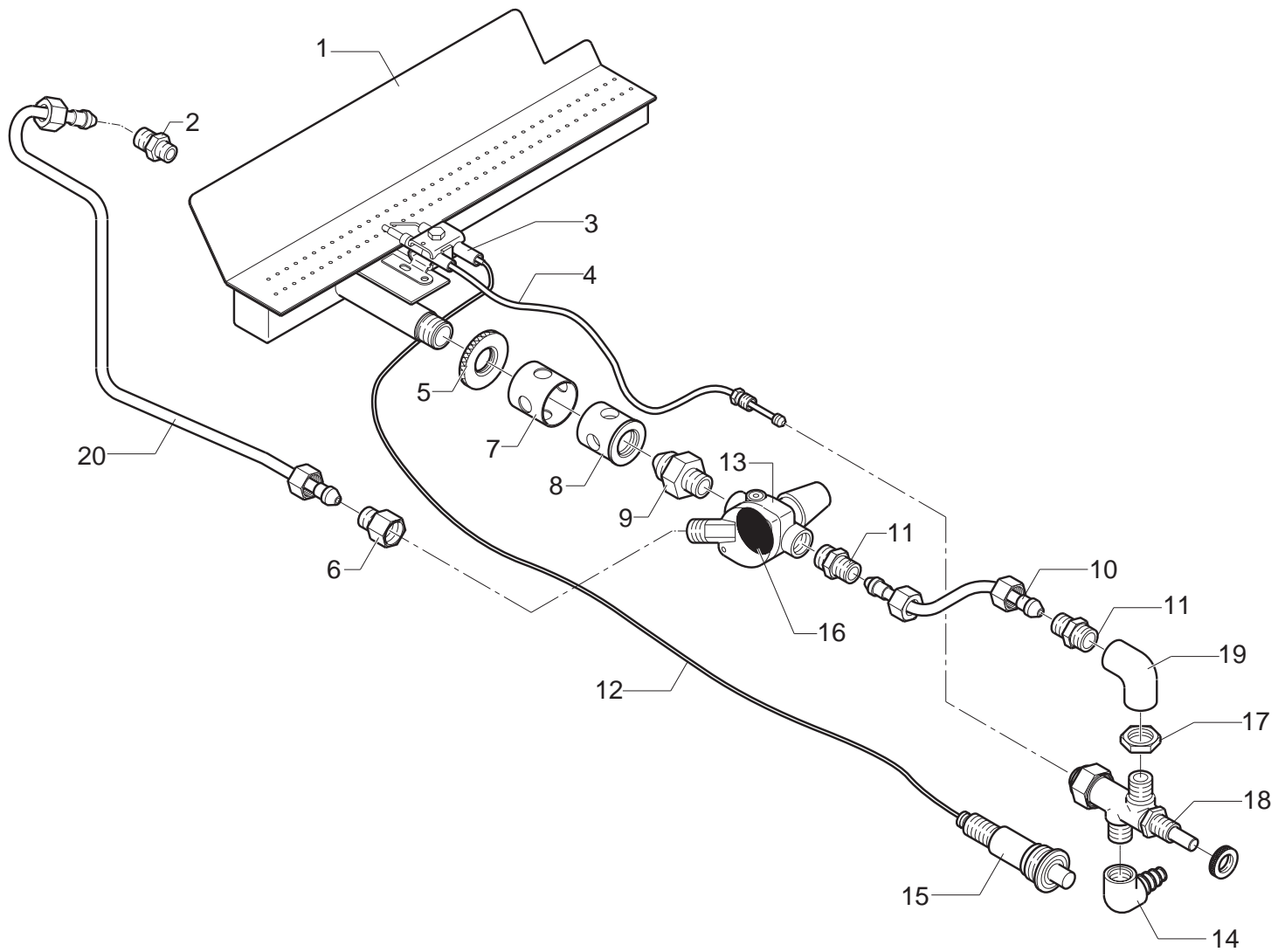


POS	DESCRIPTION	CODE	REFERENCE
01	ASSEMBLY BURNER 1GR	5343004LL.....	-
02	RING NUT 3/8"G H4 OT	5222808.....	T 1459
03	EXTERNAL INTAKE AIR PASSAGE D28 X 25.5	5220602.....	T 1458
04	INTERNAL INTAKE AIR PASSAGE D26 X 27 OT	5220601.....	T 1457
05	JET 1/4"G H32 OT	5223009.....	T 1465
06	GAS RG10 REGULATOR	7402410.....	T 1454
07	UNION ELBOW M12 X 1/4"GAS.....	5301512.....	-
08	REGULATOR-JET HOSE.....	5162200LL.....	-
09	STRAIGHT FITTING M12 X 1/4"G H24 OT	5302009.....	F 1031
10	UNION ELBOW 1/4"G	5301518.....	T/6 1520
11	NUT 1/4"G H5 OT	5221821.....	T 1498
12	INLET GAS HOSE 1GR	5162173LL.....	-
13	VALVE M1 WITH RING NUT	7403601.....	T/6 1518
14	THERMOCOUPLE	7403001.....	T/6 1517
15	PIEZO IGNITION WITH NUT	7400302.....	T/6 1513
16	GROUP FRONTAL 1GR	5094355LW.....	-
17	RUBBER-HOLDER 1/4" D12 OT.....	5224405.....	T 1475
18	BOILER-REGULATOR HOSE 1GR LEVER.....	5162171LL.....	-
19	REDUCTION GEAR 1/4"G X M12 ES.16 H22 OT	5302029.....	F 766
20	STRAIGHT FITTING M12 X M10 OT	5302010.....	F 683
21	CANDLE	7400301.....	T/6 1511
22	ELECTRIC CABLE	7401205.....	T/6 1512
23	SCREW TTEI M4X12.....	7819901.....	F 1700





POS	DESCRIPTION	CODE	REFERENCE
01	ASSEMBLY BURNER 2GR.....	5343041LL.....	-
01	ASSEMBLY BURNER 3GR.....	5343042LL.....	-
01	ASSEMBLY BURNER 4GR.....	5343043LL.....	-
02	STRAIGHT FITTING M12 X M10 OT.....	5302010.....	F 683
03	CANDLE.....	7400301.....	T/6 1511
04	THERMOCOUPLE.....	7403001.....	T/6 1517
05	RING NUT 3/8"G H4 OT.....	5222808.....	T 1459
06	REDUCTION GEAR 1/4"G X M12 ES.16 H22 OT.....	5302029.....	F 766
07	EXTERNAL INTAKE AIR PASSAGE D28 X 25.5.....	5220602.....	T 1458
08	INTERNAL INTAKE AIR PASSAGE D26 X 27 OT.....	5220601.....	T 1457
09	JET 1/4"G H32 OT.....	5223009.....	T 1465
10	REGULATOR-JET HOSE 2-3-4GR.....	5162103LL.....	06.16.00.831
11	STRAIGHT FITTING M12 X 1/4"G H24 OT.....	5302009.....	F 1031
12	ELECTRIC CABLE.....	7401205.....	T/6 1512
13	GAS RG10 REGULATOR.....	7402410.....	T 1454
14	RUBBER-HOLDER 1/4" D12 OT.....	5224405.....	T 1475
15	PIEZO IGNITION WITH NUT.....	7400302.....	T/6 1513
16	REGULATOR MEMBRANE.....	7493007.....	T 1466
17	NUT 1/4"G H5 OT.....	5221821.....	T 1498
18	VALVE M1 WITH RING NUT.....	5965085.....	-
19	UNION ELBOW 1/4"G.....	5301518.....	T/6 1520
20	COMPLETE BOILER-REGULATOR HOSE 2GR LEVER.....	5162089LL.....	06.16.00.002

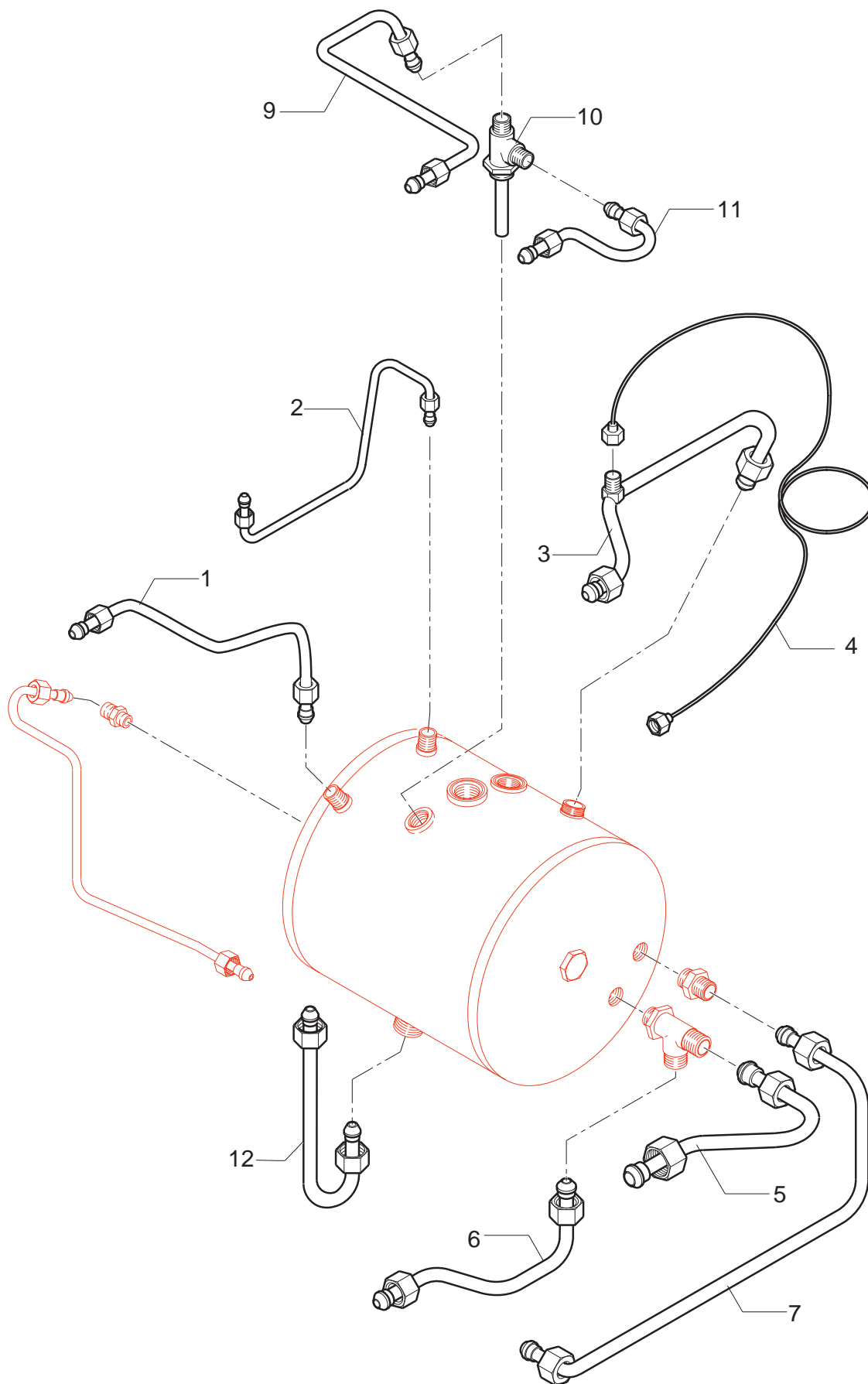




BEZZERA
dal 1901

1 Gr. hose series

POS	DESCRIPTION	CODE	REFERENCE
01	STEAM TAP HOSE	5163131LL.....	06.16.00.838
02	COMPLETE HOSE FOR PRESSOSTAT	5162001LL.....	06.16.00.718
03	UPPER LEVEL HOSE	5164046LL.....	06.16.00.152
04	PRESSURE GAUGE CAPILLARY FOR LEVER-OPERATED MACHINES	7400901LL.....	-
05	BOTTOM LEVEL HOSE	5164048LL.....	06.16.00.830
06	BOILER DRAIN HOSE	5164047LL.....	06.16.00.829
07	BOILER LOAD HOSE	5164042LL.....	06.16.00.093
09	WATER TAP HOSE	5163132LL.....	06.16.00.839
10	SUCTION HOSE 3 WAY	5164029LL.....	06.16.00.804
11	HEATING HOSE.....	5163060LL.....	06.16.00.250
12	CIRCULATION HOSE	5164030LL.....	06.16.00.115

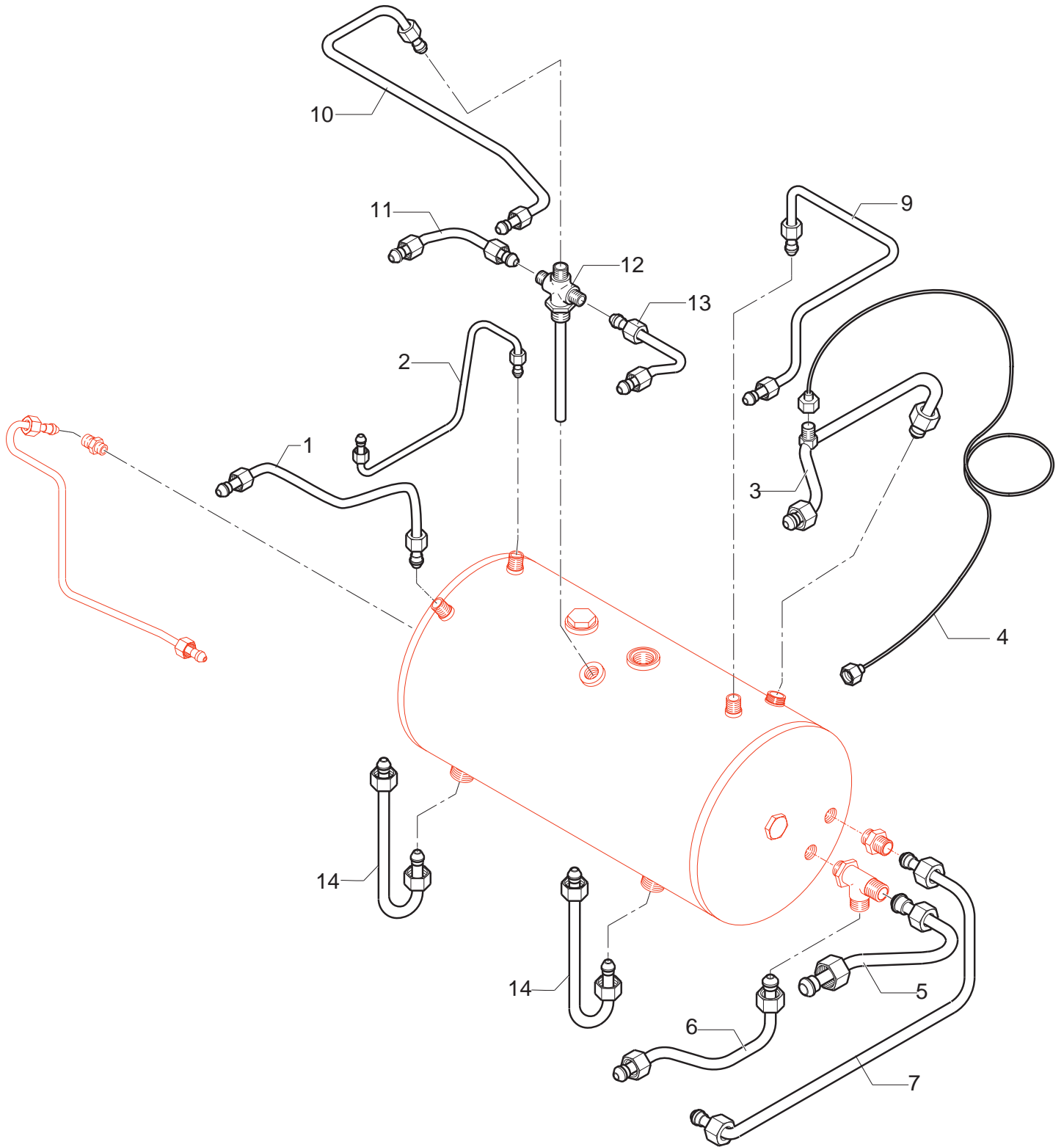




BEZZERA
dal 1901

2 Gr. hose series

POS	DESCRIPTION	CODE	REFERENCE
01	COMPLETE LEFT STEAM TAP HOSE 3-4GR	5163003LL.....	06.16.00.738
02	COMPLETE HOSE FOR PRESSOSTAT	5162001LL.....	06.16.00.718
03	UPPER LEVEL HOSE	5164046LL.....	06.16.00.152
04	PRESSURE GAUGE CAPILLARY FOR LEVER-OPERATED MACHINES	7400901LL.....	-
05	BOTTOM LEVEL HOSE	5164048LL.....	06.16.00.830
06	BOILER DRAIN HOSE	5164047LL.....	06.16.00.829
07	INLET LOAD BOILER HOSE	5164032LL.....	06.16.00.141
09	COMPLETE RIGHT STEAM TAP HOSE 2-3-4GR.....	5163004LL.....	06.16.00.731
10	WATER TAP HOSE	5163107LL.....	06.16.00.833
11	UPPER LEFT HEATING HOSE	5163063LL.....	06.16.00.126
12	COMPLETE WATER SUCTION HOSE L=120MM.....	5301003LL.....	-
13	RIGHT HEATING HOSE	5163065LL.....	06.16.00.183
14	CIRCULATION HOSE	5164030LL.....	06.16.00.115

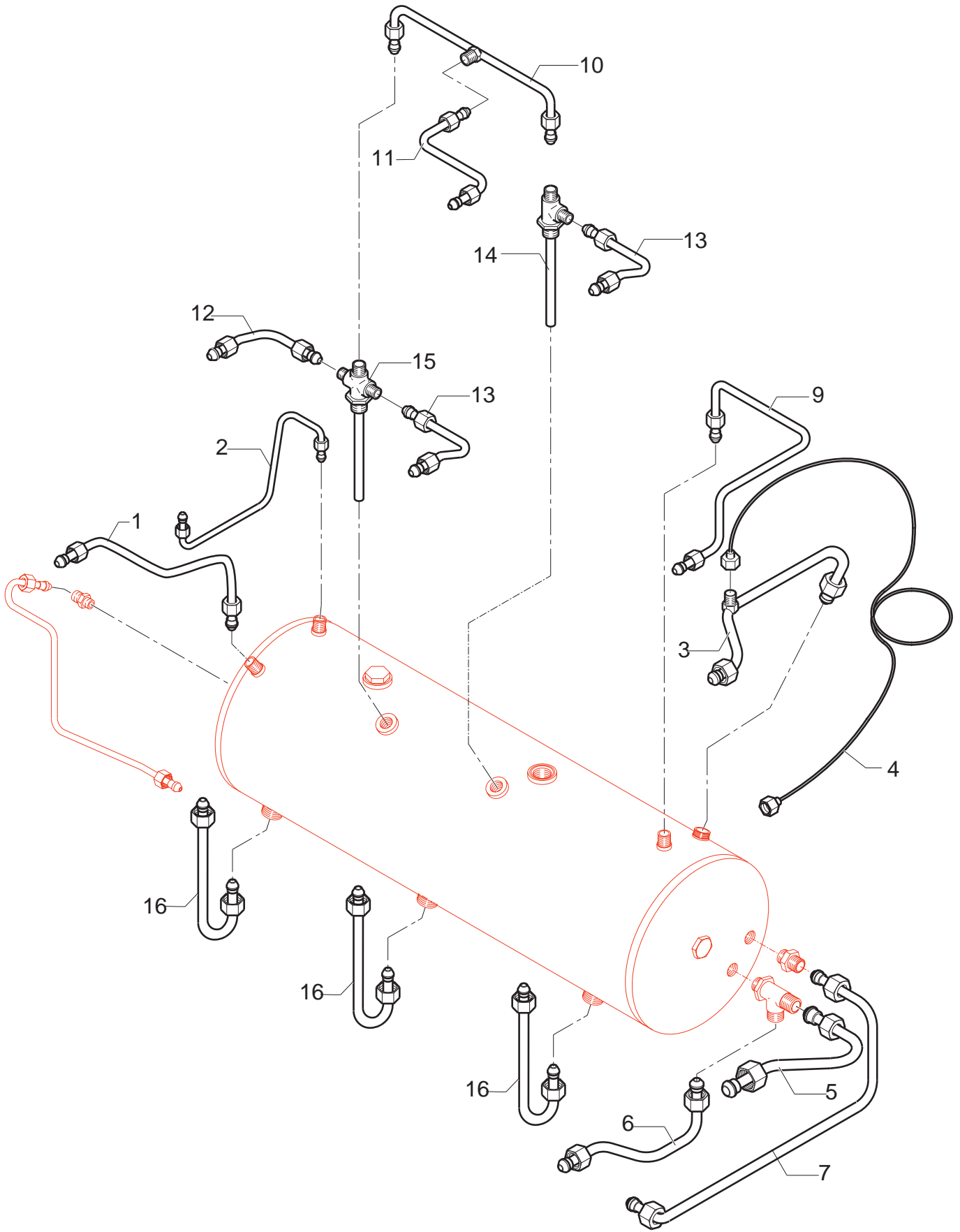




BEZZERA
dal 1901

3 Gr. hose series

POS	DESCRIPTION	CODE	REFERENCE
01	COMPLETE LEFT STEAM TAP HOSE 3-4GR	5163003LL.....	06.16.00.738
02	COMPLETE HOSE FOR PRESSOSTAT	5162001LL.....	06.16.00.718
03	UPPER LEVEL HOSE	5164046LL.....	06.16.00.152
04	PRESSURE GAUGE CAPILLARY FOR LEVER-OPERATED MACHINES	7400901LL.....	-
05	BOTTOM LEVEL HOSE	5164048LL.....	06.16.00.830
06	BOILER DRAIN HOSE.....	5164047LL.....	06.16.00.829
07	INLET LOAD BOILER HOSE	5164032LL.....	06.16.00.141
09	COMPLETE RIGHT STEAM TAP HOSE 2-3-4GR.....	5163004LL.....	06.16.00.731
10	BY-PASS HEATING HOSE	5163092LL.....	06.16.00.201
11	WATER TAP HOSE	5163128LL.....	06.16.00.837
12	UPPER LEFT HEATING HOSE	5163129LL.....	06.16.00.836
13	RIGHT HEATING HOSE	5163130LL.....	06.16.00.835
14	SUCTION HOSE 3 WAY	5164029LL.....	06.16.00.804
15	COMPLETE WATER SUCTION HOSE L=120MM.....	5301003LL.....	-
16	CIRCULATION HOSE	5164030LL.....	06.16.00.115





BEZZERA
dal 1901

4 Gr. hose series

POS	DESCRIPTION	CODE	REFERENCE
01	COMPLETE LEFT STEAM TAP HOSE 3-4GR	5163003LL.....	06.16.00.738
02	UPPER LEFT HEATING HOSE	5163129LL.....	06.16.00.836
03	PRESSURE GAUGE CAPILLARY FOR LEVER-OPERATED MACHINES	7400901LL.....	-
04	COMPLETE RIGHT STEAM TAP HOSE 2-3-4GR.....	5163004LL.....	06.16.00.731
05	COMPLETE HOSE FOR PRESSOSTAT	5162001LL.....	06.16.00.718
06	CIRCULATION HOSE	5164030LL.....	06.16.00.115
07	COMPLETE WATER SUCTION HOSE L=120MM.....	5301003LL.....	-
08	UPPER LEVEL HOSE	5164046LL.....	06.16.00.152
09	BOTTOM LEVEL HOSE	5164048LL.....	06.16.00.830
10	INLET LOAD BOILER HOSE	5164032LL.....	06.16.00.141
11	RIGHT HEATING HOSE	5163130LL.....	06.16.00.835
12	BY-PASS HEATING HOSE	5163095LL.....	06.16.00.713
13	WATER TAP HOSE	5163171LL.....	-
14	BOILER DRAIN HOSE.....	5164047LL.....	06.16.00.829

